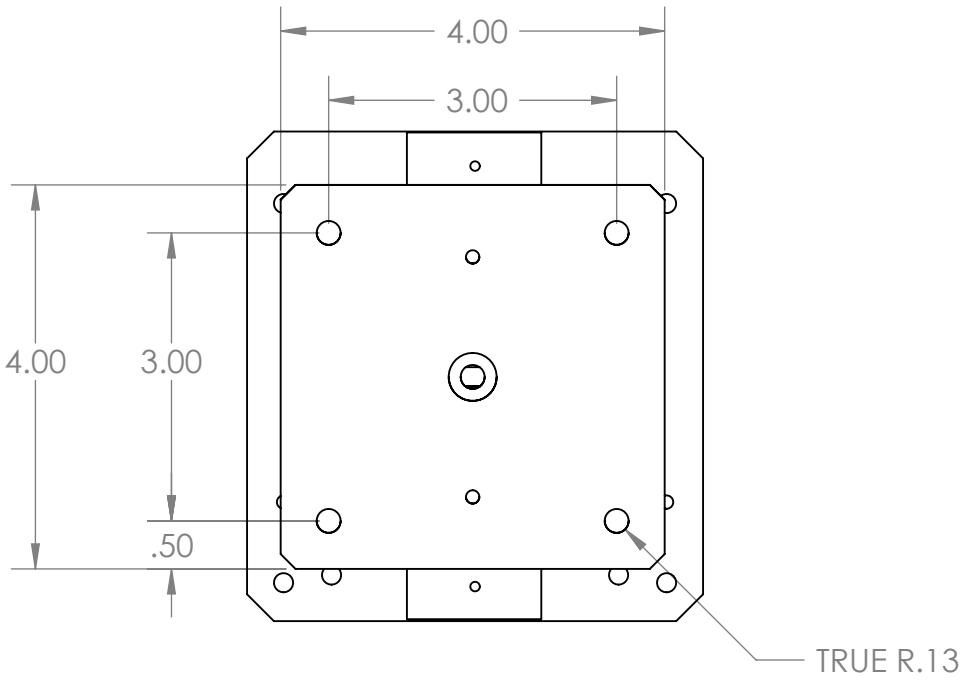
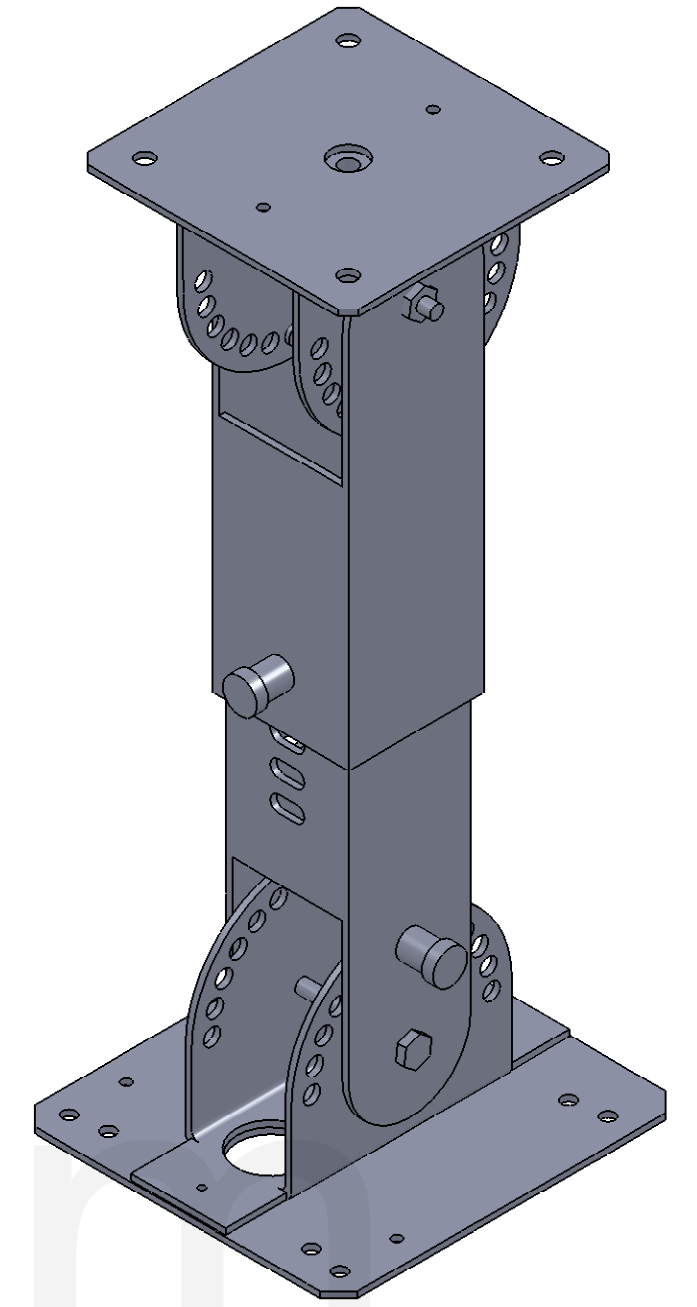
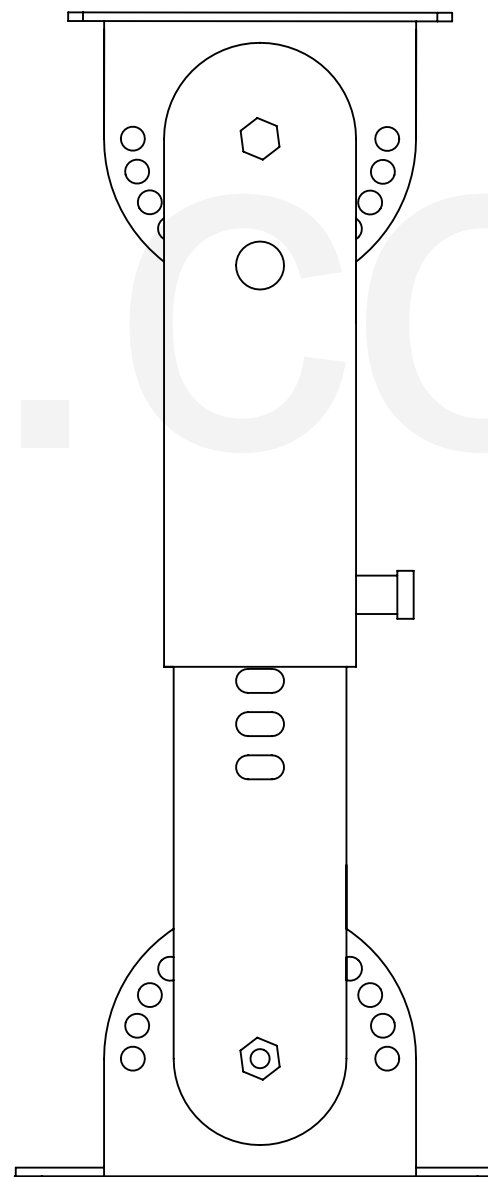
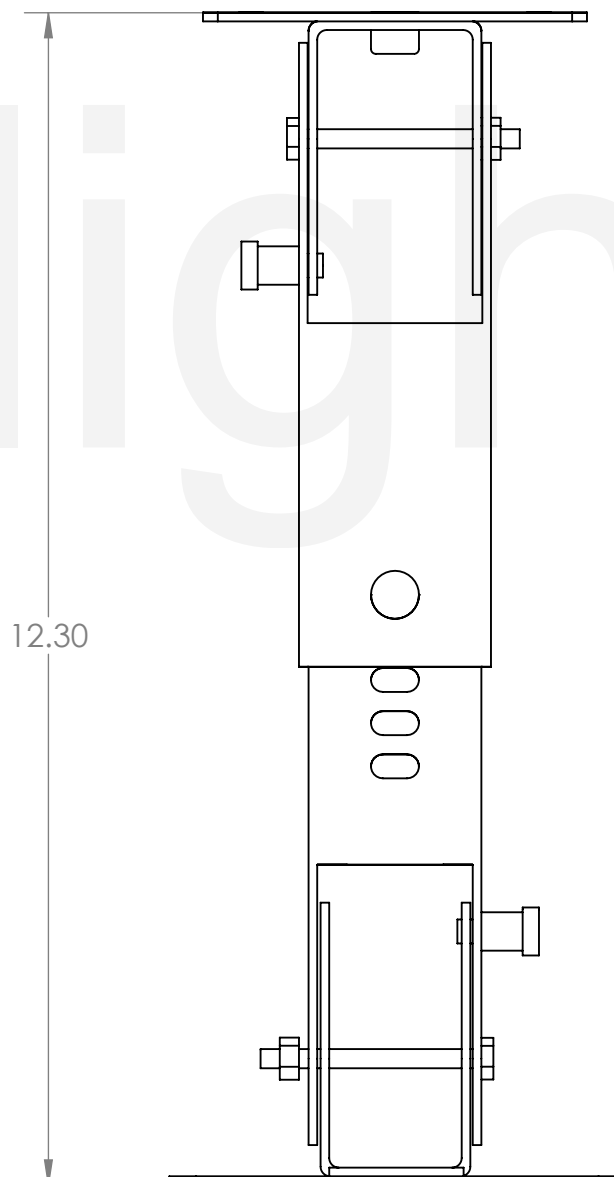
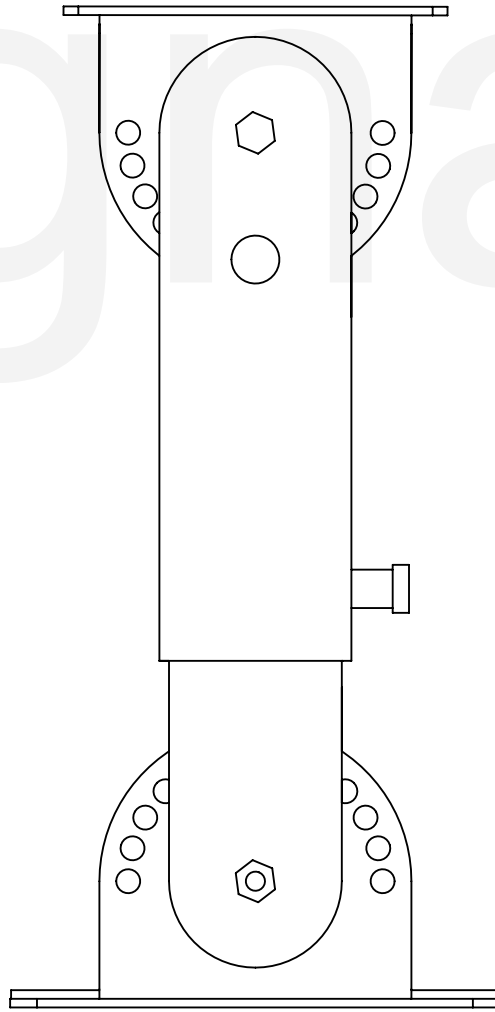
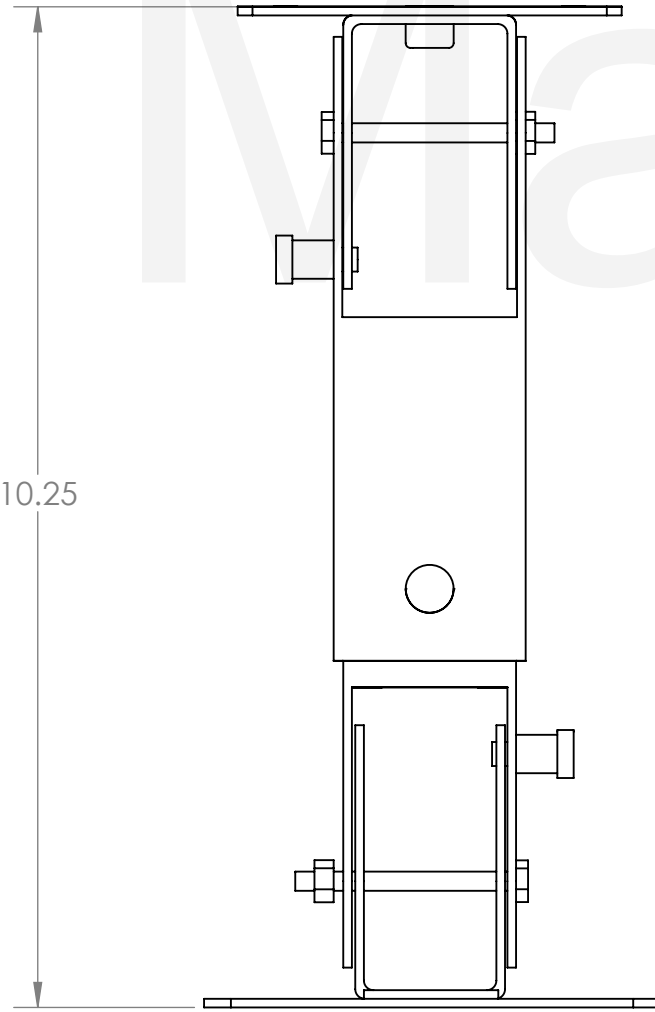


| TAG | X LOC | Y LOC | SIZE |
|-----|-------|-------|------------|
| A1 | -1.99 | -2.97 | Ø .20 THRU |
| A2 | -1.99 | .98 | Ø .20 THRU |
| A3 | -1.49 | -2.89 | Ø .20 THRU |
| A4 | -1.49 | .90 | Ø .20 THRU |
| A5 | .00 | -1.00 | Ø .20 THRU |
| A6 | 1.50 | -2.89 | Ø .20 THRU |
| A7 | 1.50 | .90 | Ø .20 THRU |
| A8 | 2.00 | -2.97 | Ø .20 THRU |
| A9 | 2.00 | .98 | Ø .20 THRU |
| B1 | -1.99 | .14 | Ø .14 THRU |
| B2 | 2.00 | .14 | Ø .14 THRU |
| C1 | .00 | -3.36 | Ø .12 THRU |
| D1 | .00 | -1.82 | Ø .36 THRU |



PROPRIETARY AND CONFIDENTIAL
 THE INFORMATION CONTAINED IN THIS DRAWING IS THE SOLE PROPERTY OF Magnalight.com. ANY REPRODUCTION IN PART OR AS A WHOLE WITHOUT THE WRITTEN PERMISSION IS PROHIBITED.

| | | UNLESS OTHERWISE SPECIFIED: | NAME | DATE |
|-------------|----------------------|--------------------------------------|-----------|------|
| | | DIMENSIONS ARE IN INCHES | DRAWN | |
| | | TOLERANCES: | CHECKED | |
| | | FRACTIONAL ± | ENG APPR. | |
| | | ANGULAR: MACH ± BEND ± | MFG APPR. | |
| | | TWO PLACE DECIMAL ± | Q.A. | |
| | | THREE PLACE DECIMAL ± | COMMENTS: | |
| | | INTERPRET GEOMETRIC TOLERANCING PER: | | |
| | | MATERIAL | | |
| | | FINISH | | |
| NEXT ASSY | USED ON | | | |
| APPLICATION | DO NOT SCALE DRAWING | | | |

| Magnalight.com | | | |
|--------------------------|--------------------------|--------------|--|
| TITLE: | | | |
| SM-1 (perm) SM-1-M (mag) | | | |
| SIZE | DWG. NO. | REV | |
| C | SM-1 (perm) SM-1-M (mag) | B | |
| SCALE: 1:2 | WEIGHT: | SHEET 1 OF 1 | |