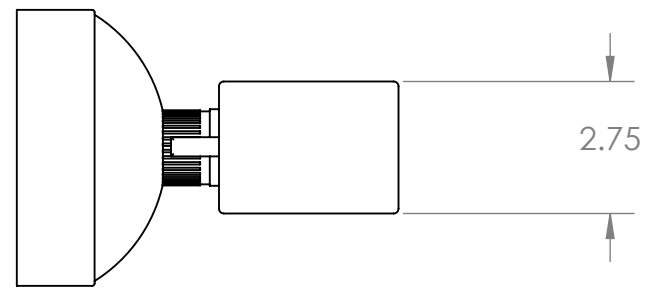
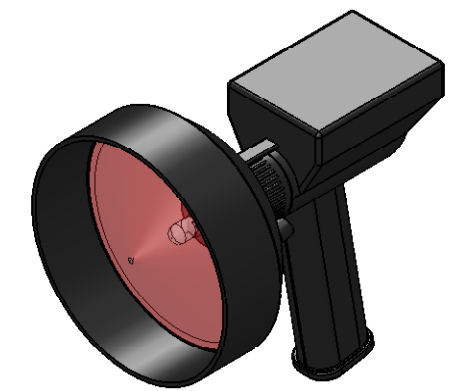
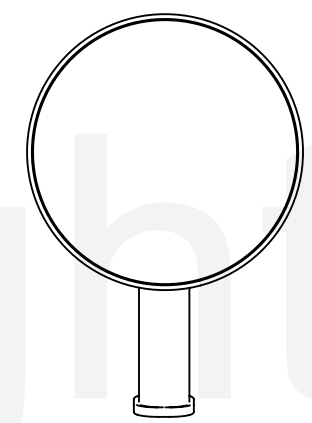
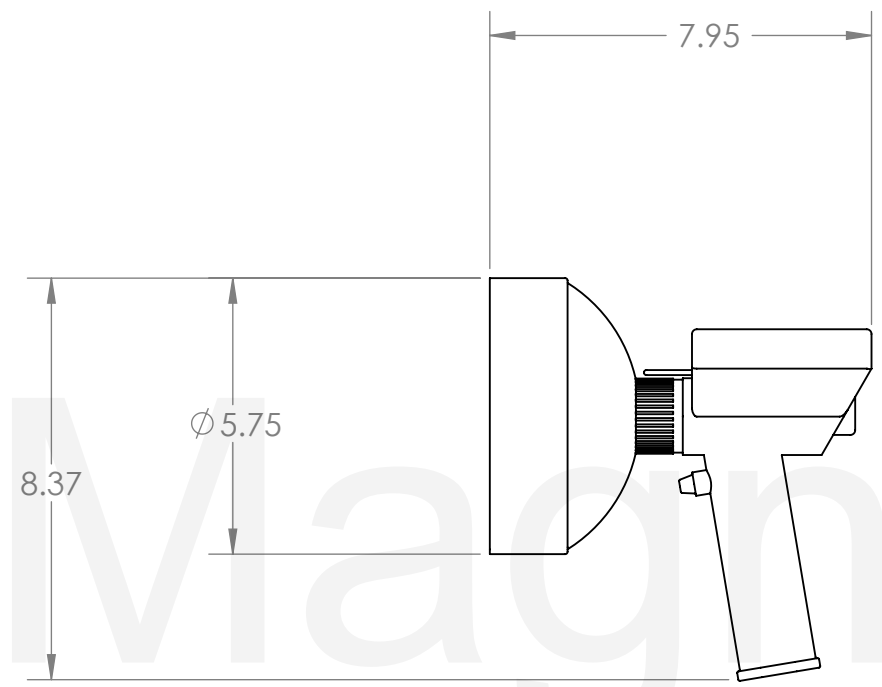


8 7 6 5 4 3 2 1

D  
C  
B  
A

D  
C  
B  
A



**PROPRIETARY AND CONFIDENTIAL**  
 THE INFORMATION CONTAINED IN THIS DRAWING IS THE SOLE PROPERTY OF Magnalight.com. ANY REPRODUCTION IN PART OR AS A WHOLE WITHOUT THE WRITTEN PERMISSION IS PROHIBITED.

		UNLESS OTHERWISE SPECIFIED:		NAME	DATE	<b>Magnalight.com</b>			
		DIMENSIONS ARE IN INCHES TOLERANCES: FRACTIONAL ± ANGULAR: MACH ± BEND ± TWO PLACE DECIMAL ± THREE PLACE DECIMAL ±		DRAWN				TITLE: HL series (5") - if rechargeable - RL series (5")	
		INTERPRET GEOMETRIC TOLERANCING PER:		CHECKED		SIZE <b>B</b>			
		MATERIAL		ENG APPR.				SCALE: 1:4 WEIGHT:	
		FINISH		MFG APPR.		APPLICATION			
NEXT ASSY		USED ON		Q.A.				COMMENTS:	
APPLICATION		DO NOT SCALE DRAWING							

8 7 6 5 4 3 2 1