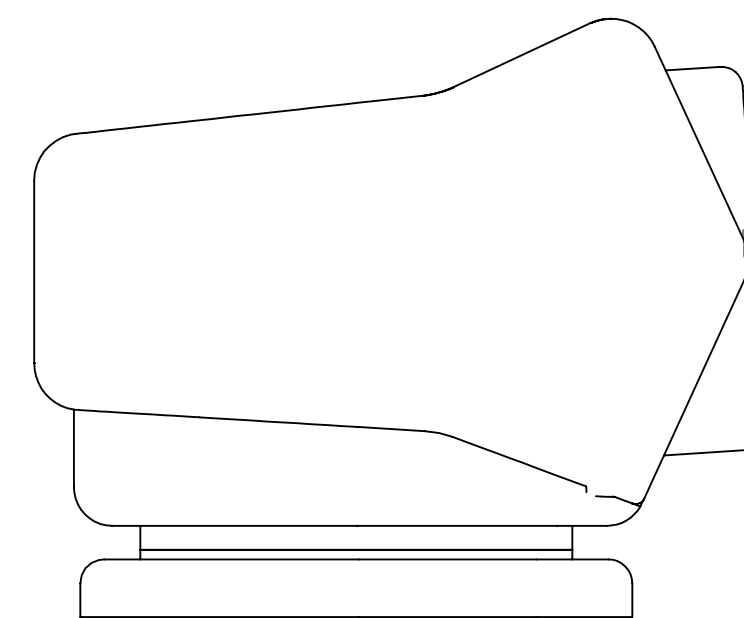
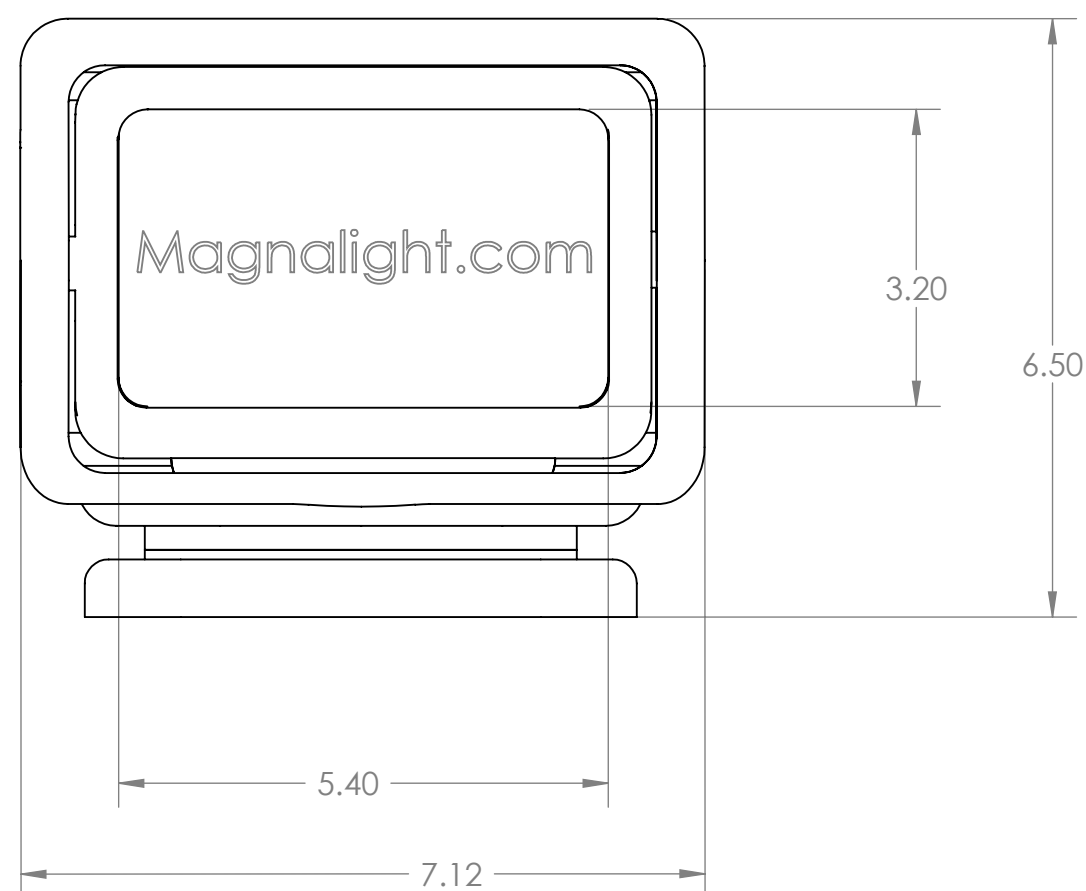


MAGNALIGHT.COM



PROPRIETARY AND CONFIDENTIAL
 THE INFORMATION CONTAINED IN THIS
 DRAWING IS THE SOLE PROPERTY OF
 Magnalight.com. ANY
 REPRODUCTION IN PART OR AS A WHOLE
 WITHOUT THE WRITTEN PERMISSION OF
 Magnalight.com IS PROHIBITED.

		UNLESS OTHERWISE SPECIFIED:	NAME	DATE
		DIMENSIONS ARE IN INCHES		6/09
		TOLERANCES:	DRAWN	
		FRACTIONAL ±	CHECKED	
		ANGULAR: MATCH ± BEND ±	ENG APPR.	
		TWO PLACE DECIMAL ±	MFG APPR.	
		THREE PLACE DECIMAL ±	Q.A.	
		INTERPRET GEOMETRIC TOLERANCING PER:	COMMENTS:	
		MATERIAL		
NEXT ASSY	USED ON	FINISH		
APPLICATION		DO NOT SCALE DRAWING		

Magnalight.com		
TITLE:		
Stryker		
SIZE	PART NO.	REV
C	GL-3XXX Stryker	A
SCALE: 1:2	WEIGHT:	SHEET 1 OF 1